

Designs
by the
C
Residential
Designs

843-357-9680

Contractor shall abide by all local, state, and federal codes, laws, and ordinances. Contractor shall assume total responsibility for structural design, including foundations, soil engineering, concrete steel reinforcing, framing, bracing and all other structural components. If necessary, contractor shall hire a licensed structural Engineer to assist him with above mentioned structural design. Contractor shall check and verify all dimensions prior to construction. Designs By The C is a general purpose drafting firm and makes no representation regarding adequacy of material specifications, detailing, electrical, plumbing, mechanical or structural systems.

HABITAT HUMANITY
CONTAINER

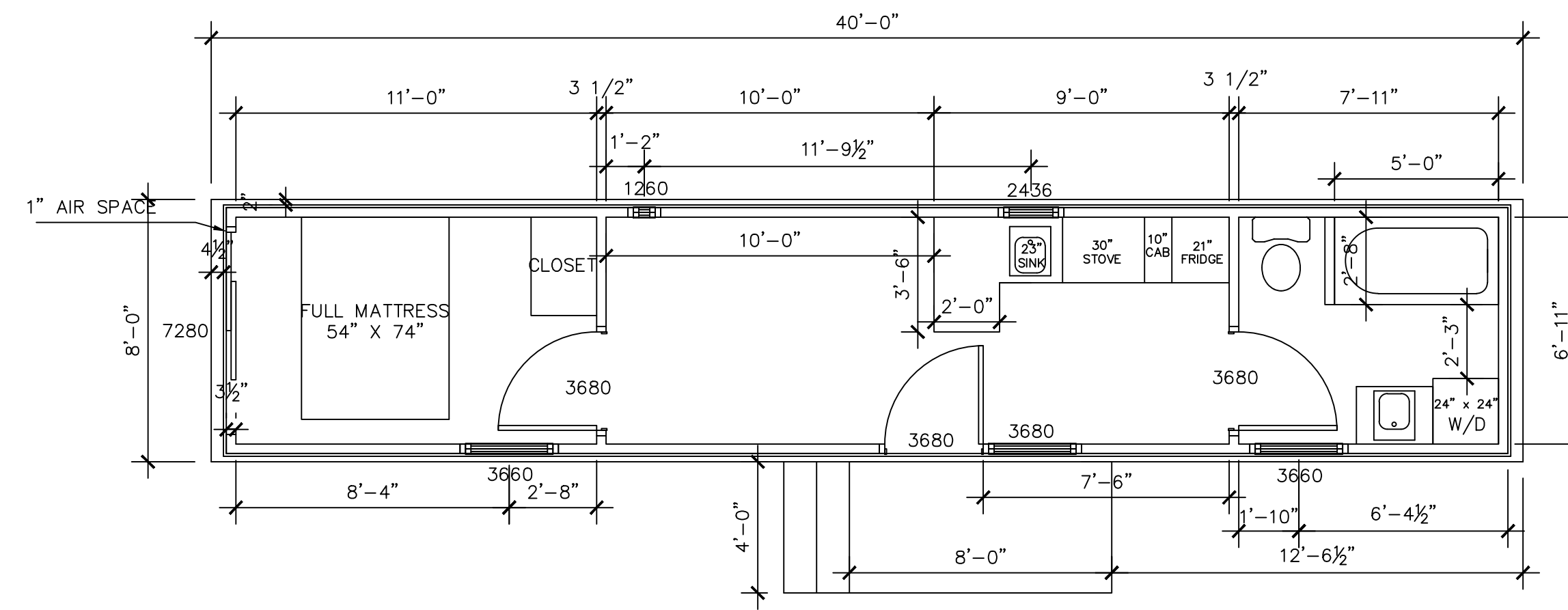
PROJECT NAME:

23018

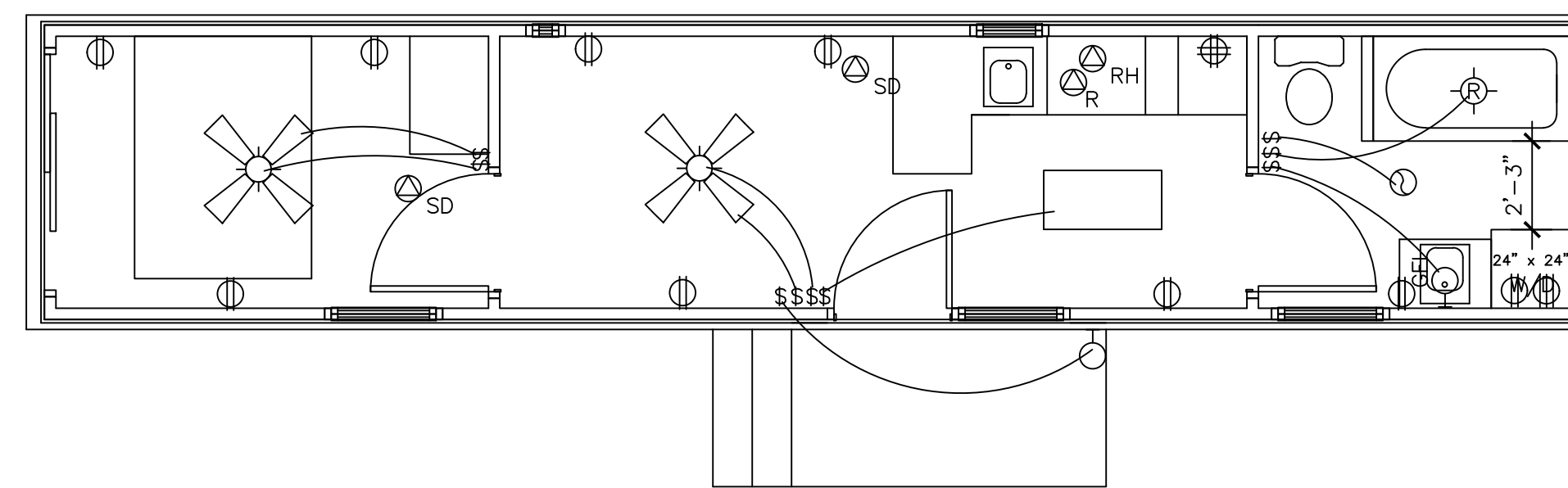
DATE:

11/15/23

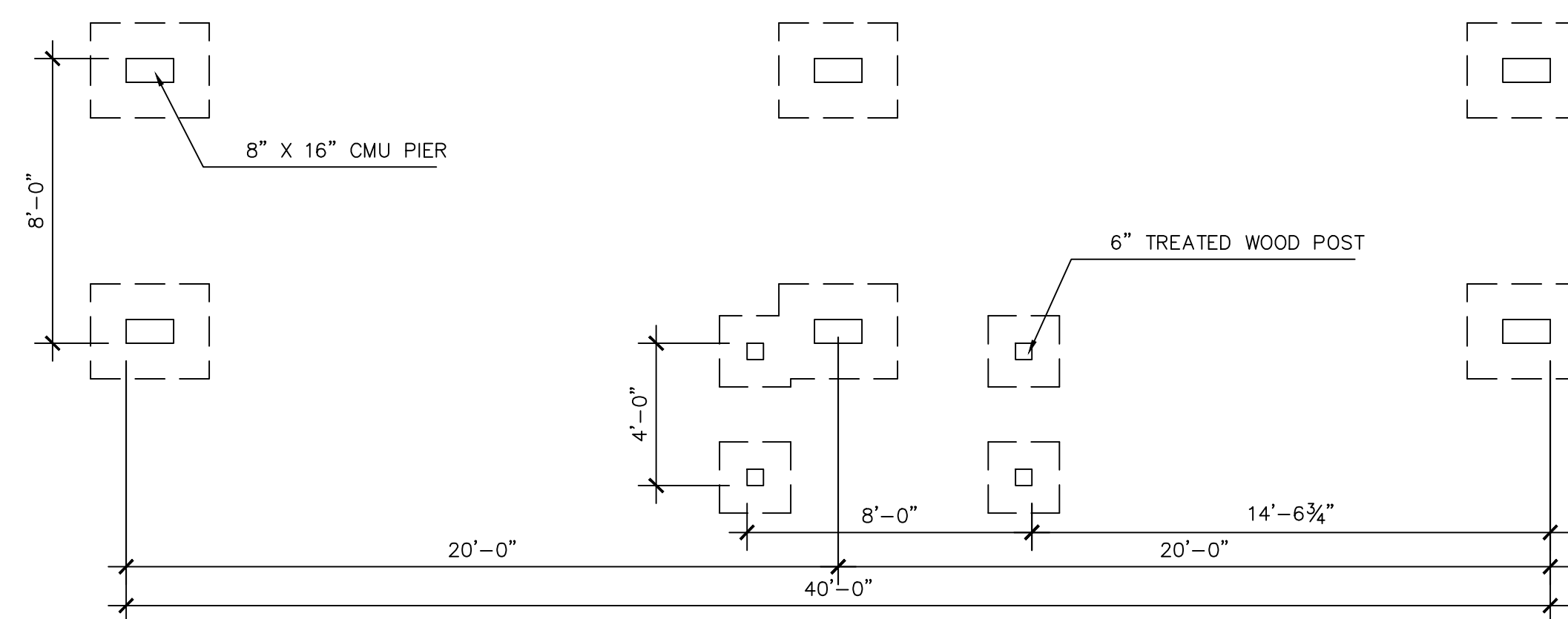
A2.1



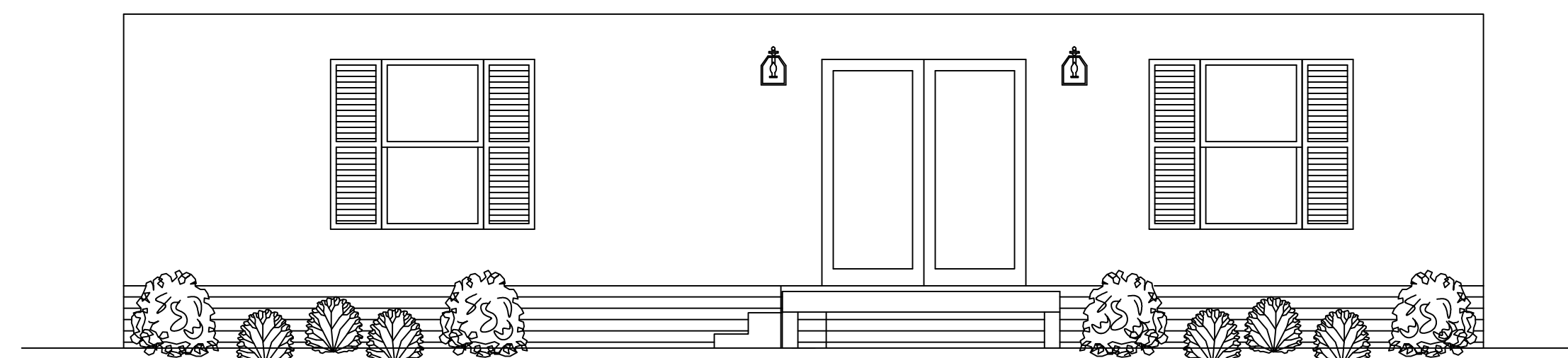
FLOOR PLAN



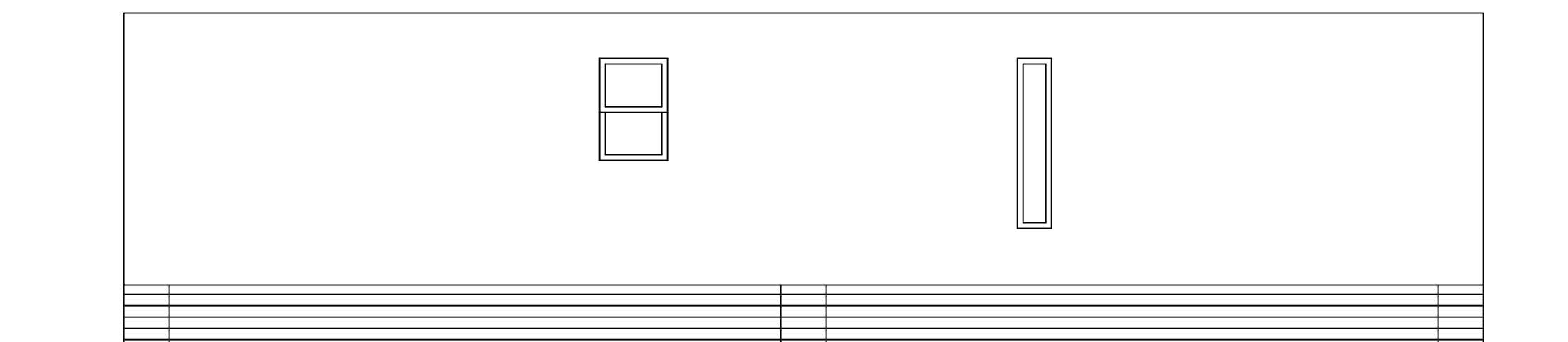
ELECTRICAL PLAN



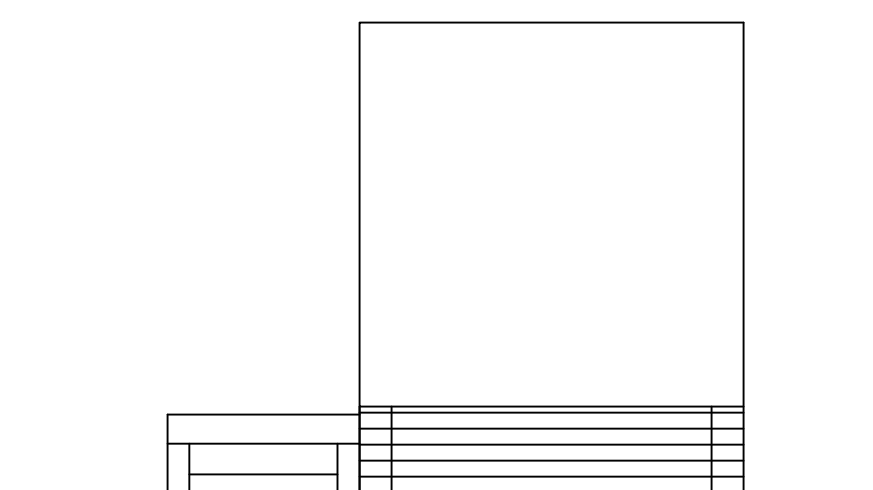
FOUNDATION PLAN



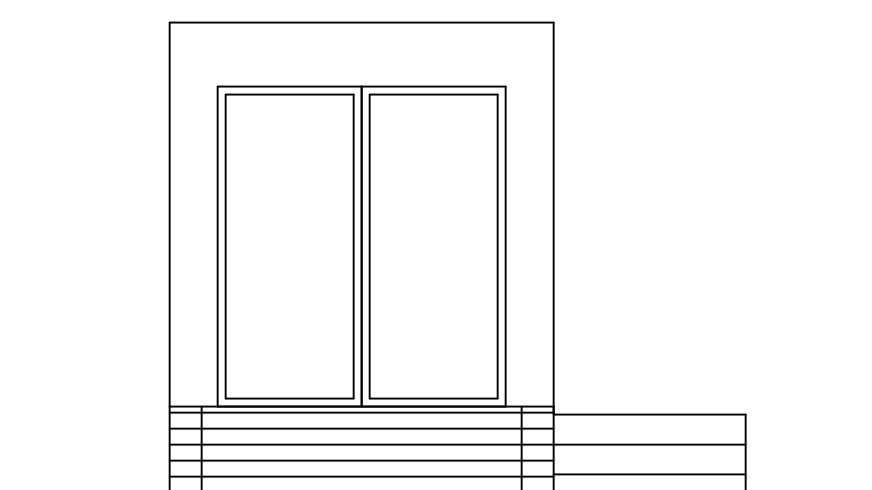
FRONT ELEVATION



REAR ELEVATION



RIGHT ELEVATION



LEFT ELEVATION

ELEVATIONS

PLANS
SCALE 1/4" = 1'-0"