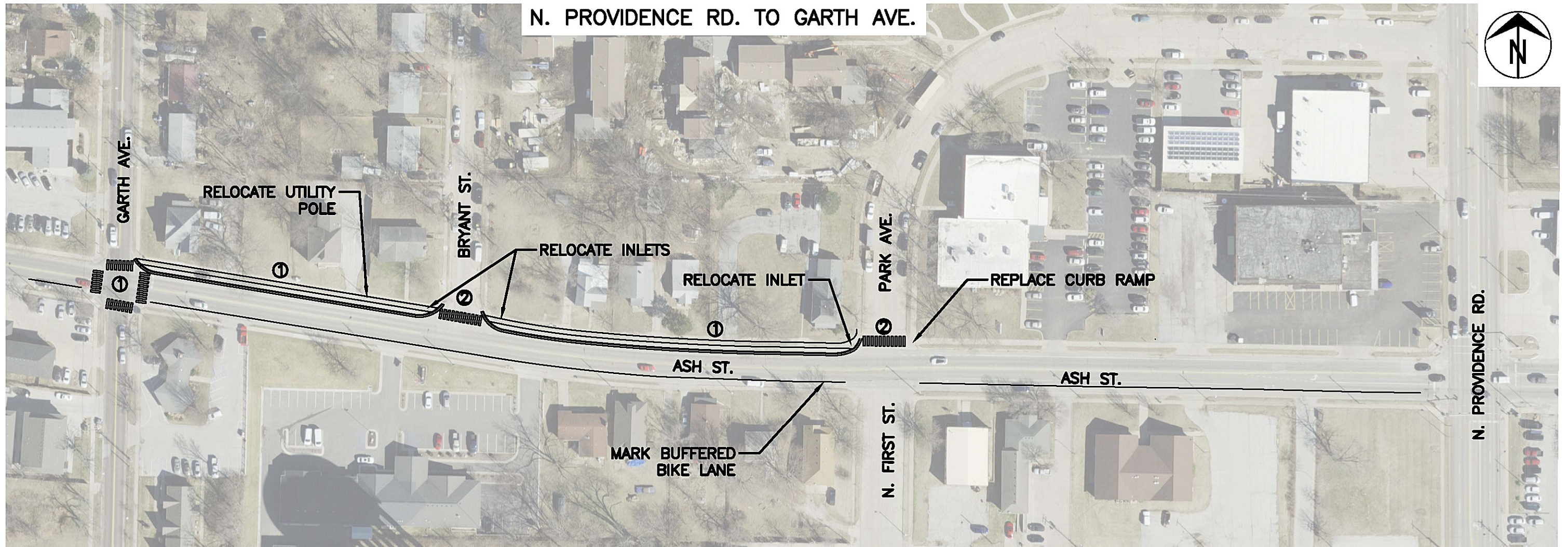
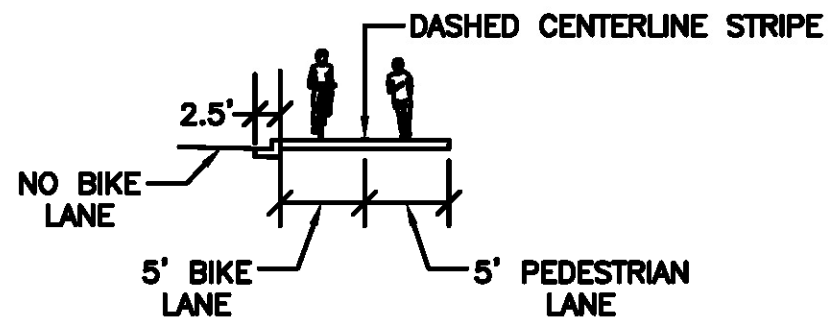


N. PROVIDENCE RD. TO GARTH AVE.



LEGEND

① 10' BIKE LANE/PEDWAY AT BACK OF CURB



② RAISED AND/OR MARKED CROSSWALK

NOTES:

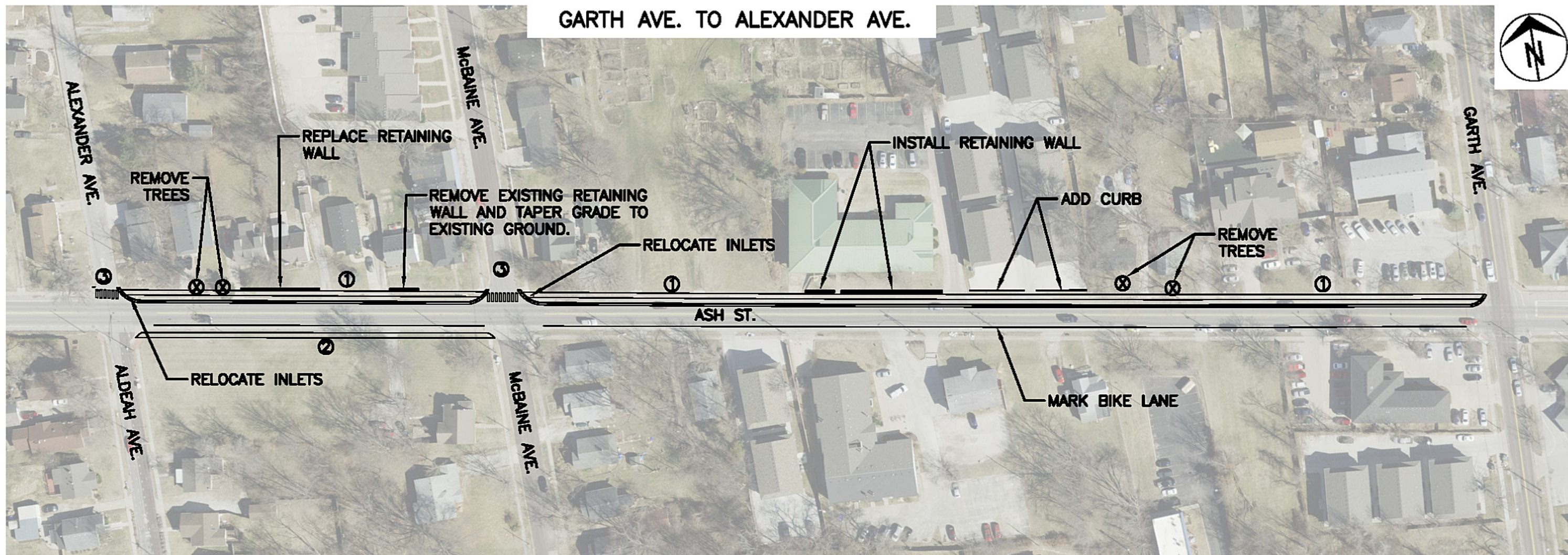
1. NORTH SIDE: REDUCE STREET WIDTH 3', ADD NEW CURB & GUTTER.
2. SOUTH SIDE: STRIPING OF VEHICLE LANES CHANGED TO ALLOW BUFFERED BIKE LANE BETWEEN GARTH & PROVIDENCE (BIKE LANE BETWEEN PARKED CARS AND CURB).



ASH PEDWAY - PROVIDENCE TO CLINKSCALES

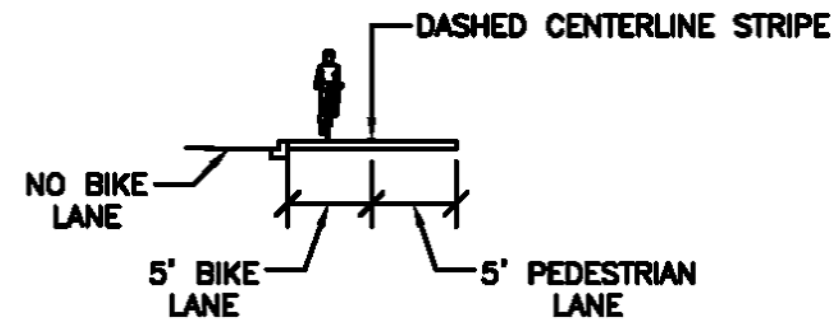
Scale: 1"=100' | Dwn: G.R.K. | DATE: 8-18-20

GARTH AVE. TO ALEXANDER AVE.

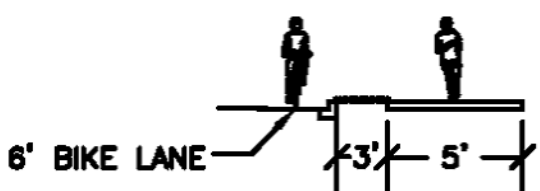


LEGEND

① 10' BIKE LANE/PEDWAY AT BACK OF CURB



② 5' SIDEWALK WITH GRASS BUFFER & BIKE LANE



③ RAISED AND/OR MARKED CROSSWALK

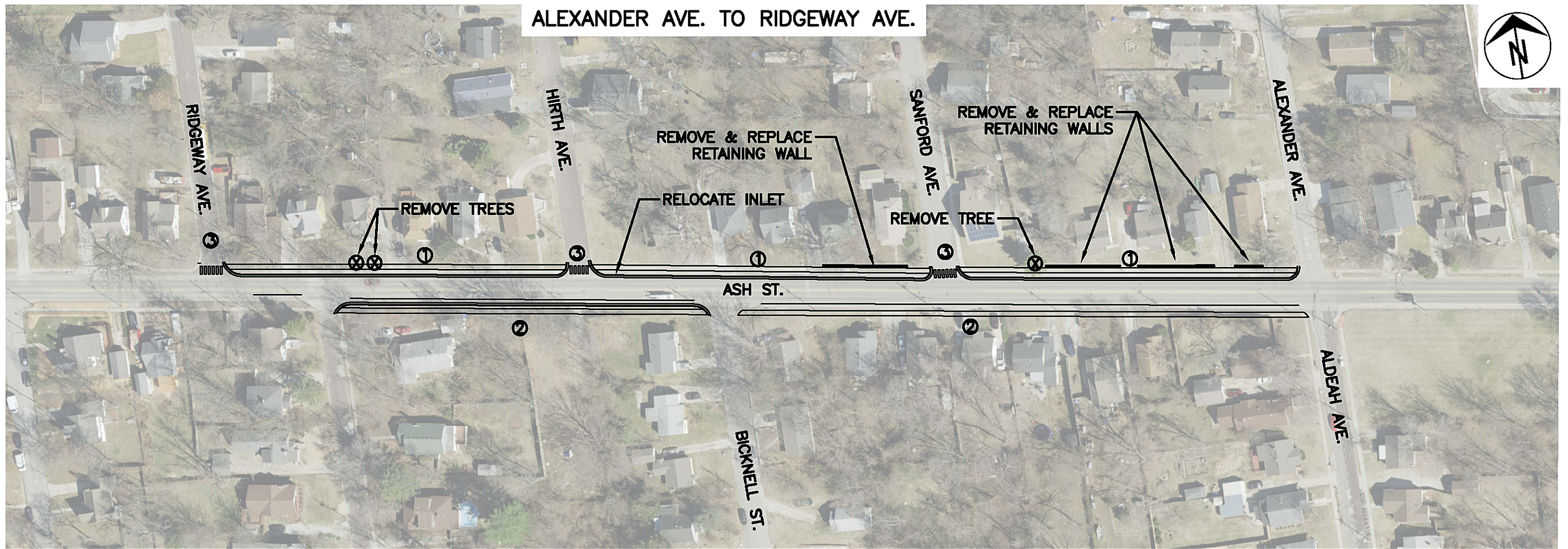
NOTES:
 1. NORTH SIDE: REDUCE STREET WIDTH 3', ADD NEW CURB & GUTTER.
 2. SIX INLETS WILL NEED TO BE RELOCATED AT THE INTERSECTION OF ASH ST. & ALEXANDER/ALDEAH

city of
Columbia
 Department of Public Works

ASH PEDWAY - PROVIDENCE TO CLINKSCALES

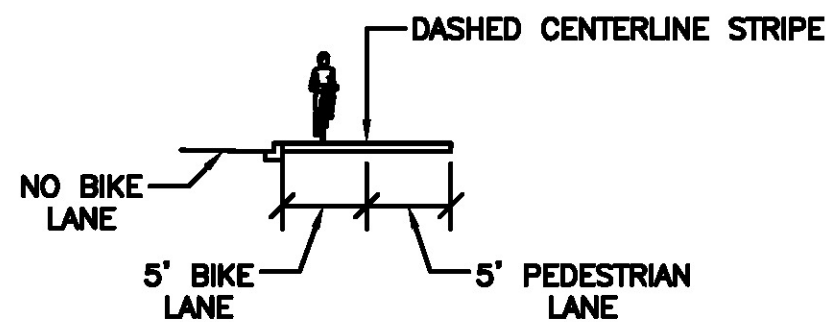
Scale: 1"=100' | Dwn: G.R.K. | DATE: 8-18-20

ALEXANDER AVE. TO RIDGEWAY AVE.

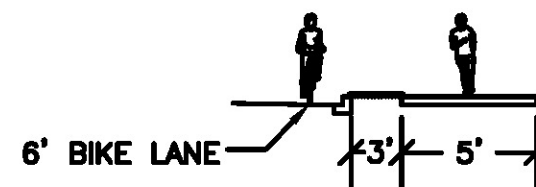


LEGEND

① 10' BIKE LANE/PEDWAY AT BACK OF CURB



② 5' SIDEWALK WITH GRASS BUFFER & BIKE LANE



③ RAISED AND/OR MARKED CROSSWALK

NOTES:

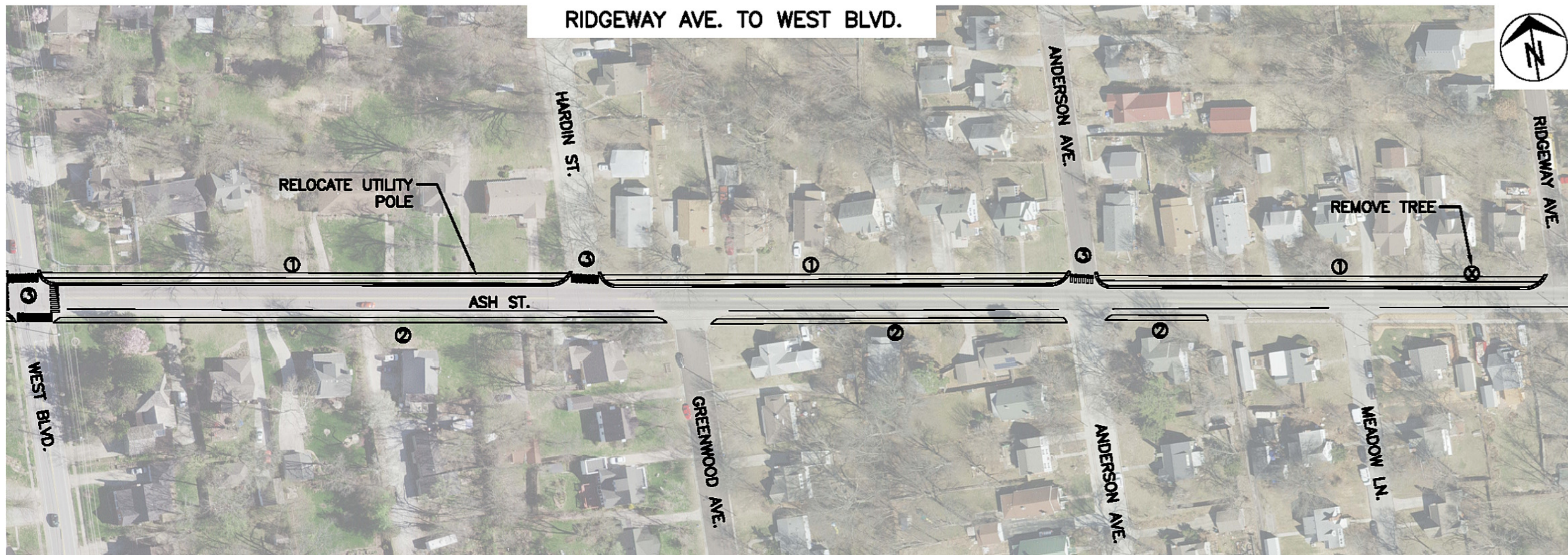
1. NORTH SIDE BETWEEN ALEXANDER AND HIRTH: REDUCE STREET WIDTH 3', ADD NEW CURB & GUTTER.
2. SOUTH SIDE BETWEEN BICKNELL AND GLENWOOD: WIDEN ROAD 3', ADD NEW CURB & GUTTER.



ASH PEDWAY - PROVIDENCE TO CLINKSCALES

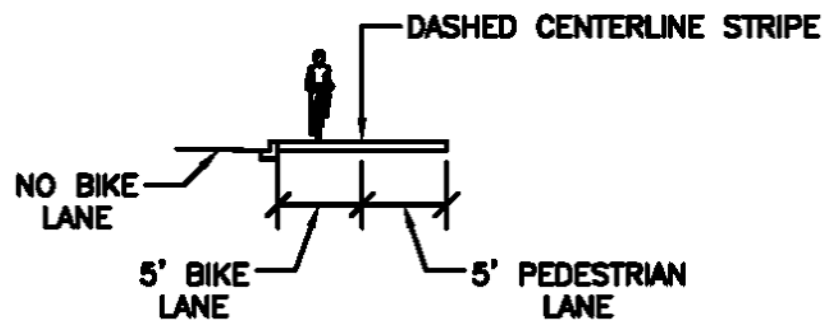
Scale: 1"=100' | Dwn: G.R.K. | DATE: 8-18-20

RIDGEWAY AVE. TO WEST BLVD.

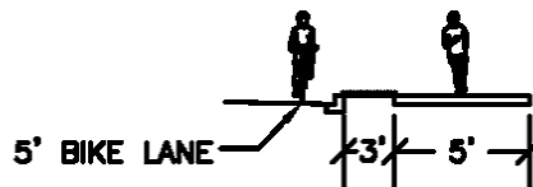


LEGEND

① 10' BIKE LANE/PEDWAY AT BACK OF CURB



② 5' SIDEWALK WITH GRASS BUFFER & BIKE LANE



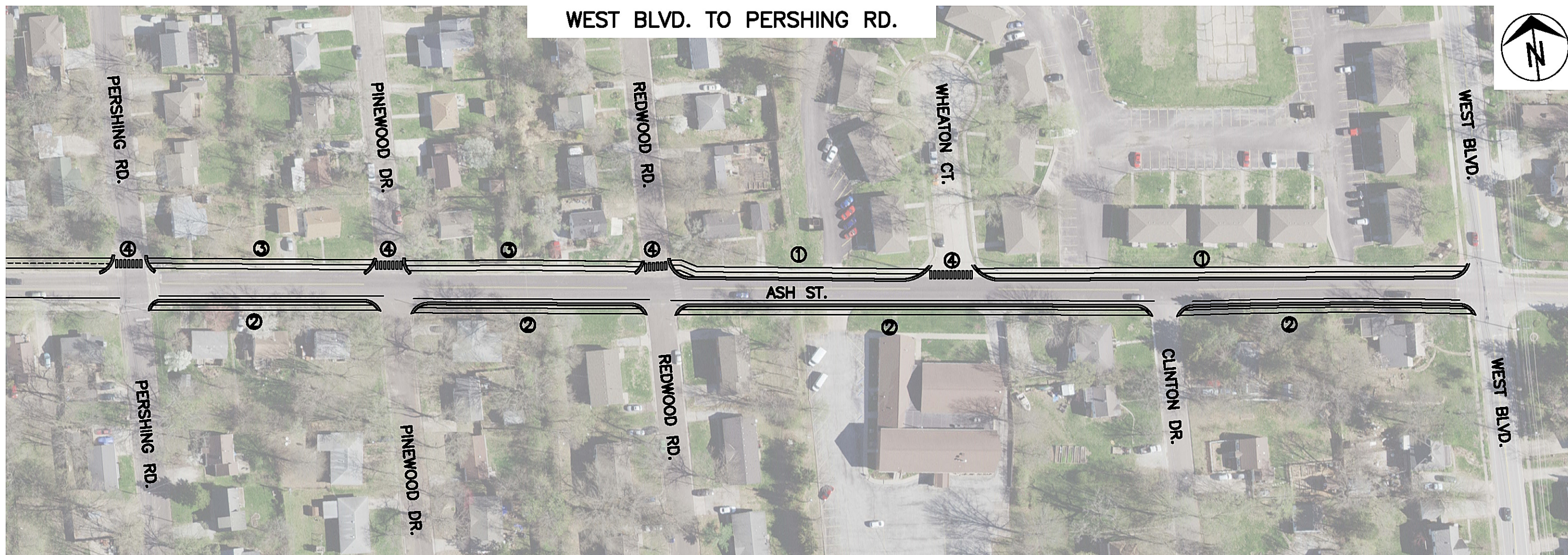
③ RAISED AND/OR MARKED CROSSWALK

city of
Columbia
Department of Public Works

**ASH PEDWAY - PROVIDENCE
TO CLINKSCALES**

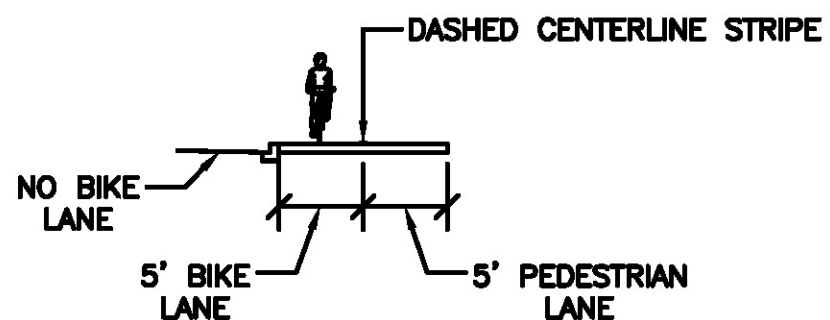
Scale: 1"=100' Dwn: G.R.K. DATE: 8-18-20

WEST BLVD. TO PERSHING RD.

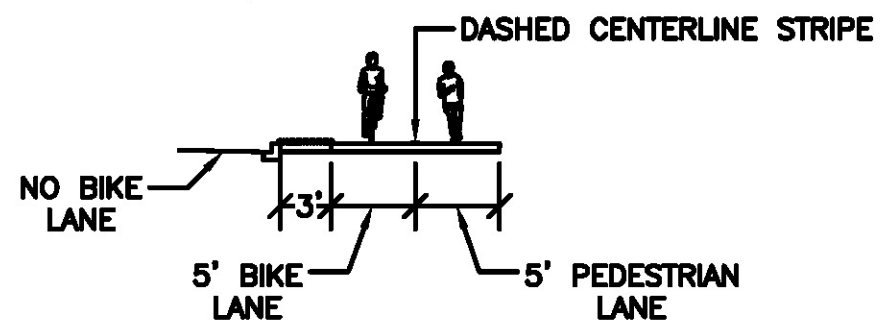


LEGEND

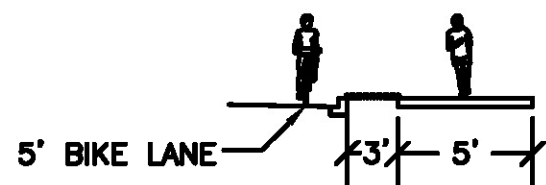
① 10' BIKE LANE/PEDWAY AT BACK OF CURB



③ 10' BIKE LANE/PEDWAY WITH 3' GRASS BUFFER



② 5' SIDEWALK WITH GRASS BUFFER & BIKE LANE

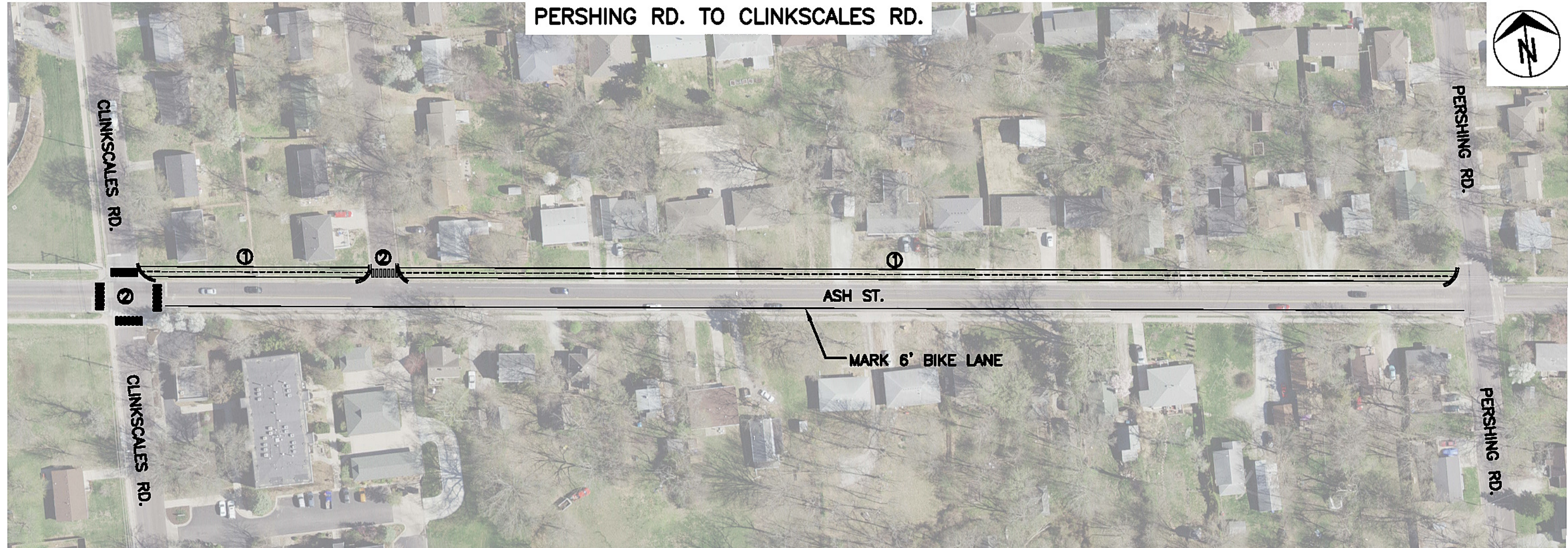


④ RAISED AND/OR MARKED CROSSWALK



ASH PEDWAY - PROVIDENCE TO CLINKSCALES

Scale: 1"=100' | Dwn: G.R.K. | DATE: 8-18-20

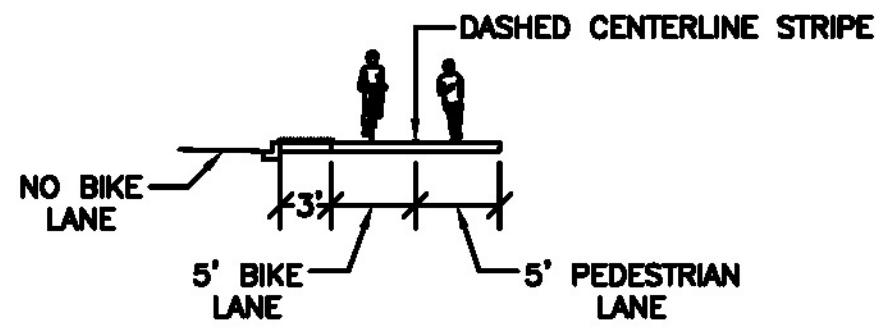


PERSHING RD. TO CLINKSCALES RD.



LEGEND

① 10' BIKE LANE/PEDWAY WITH 3' GRASS BUFFER



② RAISED AND/OR MARKED CROSSWALK

city of
Columbia
Department of Public Works

**ASH PEDWAY - PROVIDENCE
TO CLINKSCALES**

Scale: 1"=100' | Dwn: G.R.K. | DATE: 8-18-20